



Green Water Treat Co., Ltd.

143 Charoen Rat Soi 7, BangKhlo, BangKholaem, Bangkok 10120

Tel : 02-689-7758 Fax : 02-692-2229 Email : greenwatertreat@gmail.com

Mobile : 084-674-5659 : 085-915-4569 www.greenwatertreat.com



GWT - BELT FILTERPRESS Catalogue & Products Range



Green Water Treat Co., Ltd.

143 Charoen Rat Soi 7, BangKhlo, BangKholaem, Bangkok 10120

Tel : 02-689-7758 Fax : 02-692-2229 Email : greenwatertreat@gmail.com

Mobile : 084-674-5659 : 085-915-4569 www.greenwatertreat.com

GENERAL BELT FILTER PRESS INTRODUCTION

Designed

Double belt Standard design C/W three zone pressing the first dewatering gravity zone in slight slope with adjustable barrage and edge to control cake thickness the second wedge zone third low, medium and high pressing zone.

Furthermore we can increase more efficiency by more filtering area of primary unit eg. table belt , rotary drum thickener suitable for attenuate sludge. This unit can be compensate sludge thickener tank you can save cost , space for construction

Wide application: sludge dewatering and Solid/Liquid separation in chemical, metallurgy, food processing, pharmaceutical, textile, energy, and environmental, water & waste water treatment , and other industries.

Construction

The frame and all rollers are made of 304 stainless steel option shall be carbon steel hot dip galvanized.

Features

- 1. More filtering area*
- 2. More dryness cake throughput*
- 3. Automatic belt tracking alignment control*
- 4. Automatic belt tension control*
- 5. Belt variable speed control*
- 6. Low Maintenance*
- 7. Easy operation*



*Automatic belt tracking alignment
& Tension control
Belt variable speed control*



Green Water Treat Co., Ltd.

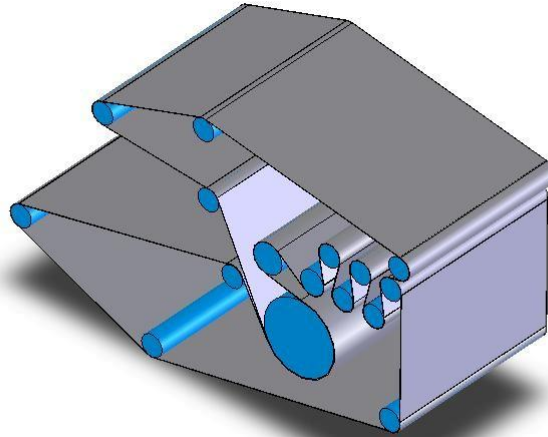
143 Charoen Rat Soi 7, BangKhlo, BangKholaem, Bangkok 10120

Tel : 02-689-7758 Fax : 02-692-2229 Email : greenwatertreat@gmail.com

Mobile : 084-674-5659 : 085-915-4569 www.greenwatertreat.com

Product Range

KPS-BFP-DBModel



Features

1. Standard design Double belt Standard design C/W three zone pressing the first dewatering gravity zone in slight slope with adjustable barrage and edge to control cake thickness the second wedge zone third low, medium and high pressing zone.
2. Suitable for high intense sludge more than 2.0% SS .
3. Available belt width 0.5 to 2.0 M.

Technical Data

Model	Belt Width (mm.)	Filtering Area (m ²)	Capacity		Washing Water (m ³ /hr)	kW	Weight (Ton)	Dimension WxLxH (mm.)
			Hydraulic Loading Rate (HLR : m ³ /hr) @SS<1.0%	Solid Loading Rate (SLR : kg-DS/hr)				
KPS-BFP-DB 500	500	4.2	4.0	75	3.0	0.37	0.7	1040x2600x1800
KPS-BFP-DB 750	750	6.26	6.0	110	4.8	0.55	0.8	1340x2600x1800
KPS-BFP-DB 1000	1000	8.35	8.0	150	6.0	0.75	0.9	1540x2600x1800
KPS-BFP-DB 1200	1200	10.02	9.6	180	7.2	1.10	1.2	1780x2600x1800
KPS-BFP-DB 1500	1500	16.35	12.0	225	9.0	1.50	1.5	1900x3370x2200
KPS-BFP-DB 2000	2000	21.8	16.0	300	12	2.20	2.2	2400x3370x2200



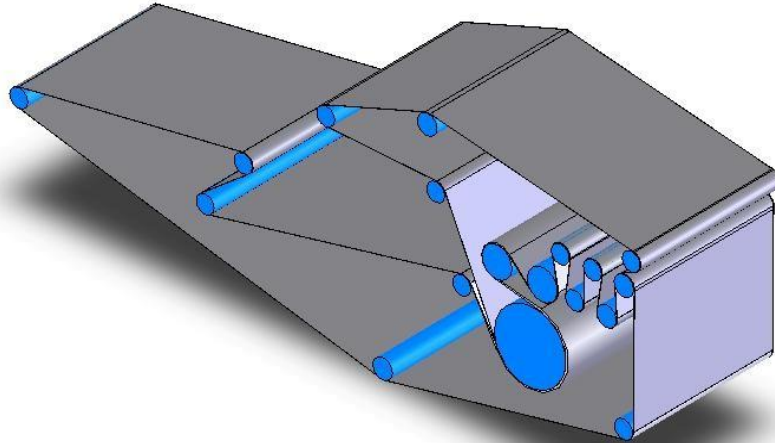
Green Water Treat Co., Ltd.

143 Charoen Rat Soi 7, BangKhlo, BangKholaem, Bangkok 10120

Tel : 02-689-7758 Fax : 02-692-2229 Email : greenwatertreat@gmail.com

Mobile : 084-674-5659 : 085-915-4569 www.greenwatertreat.com

KPS-BFP-DBL Model



Features

1. Standard design Double belt Standard design C/W three zone plus extra zone gravity dewatering table belt and normal zone pressing the first dewatering gravity zone in slight slope with adjustable barrage and edge to control cake thickness the second wedge zone third low, medium and high pressing zone.
2. Suitable for attenuate sludge not more than 1.0% SS .
3. Available belt width 0.5 to 1,20 M.

Technical Data

Model	Belt Width (mm.)	Filtering Area (m ²)	Capacity		Washing Water (m ³ /hr)	kW	Weight (Ton)	Dimension WxLxH (mm.)
			Hydraulic Loading Rate (HLR : m ³ /hr)	Solid Loading Rate (SLR : kg-DS/hr)				
KPS-BFP-DBL 500	500	5.2	4.0	75	3.0	0.37	0.9	1040x3800x1800
KPS-BFP-DBL 750	750	7.26	6.0	110	4.8	0.55	1.0	1340x3800x1800
KPS-BFP-DBL 1000	1000	9.35	8.0	150	6.0	0.75	1.1	1540x3800x1800
KPS-BFP-DBL 1200	1200	11.02	9.6	180	7.2	1.10	1.4	1780x3800x1800



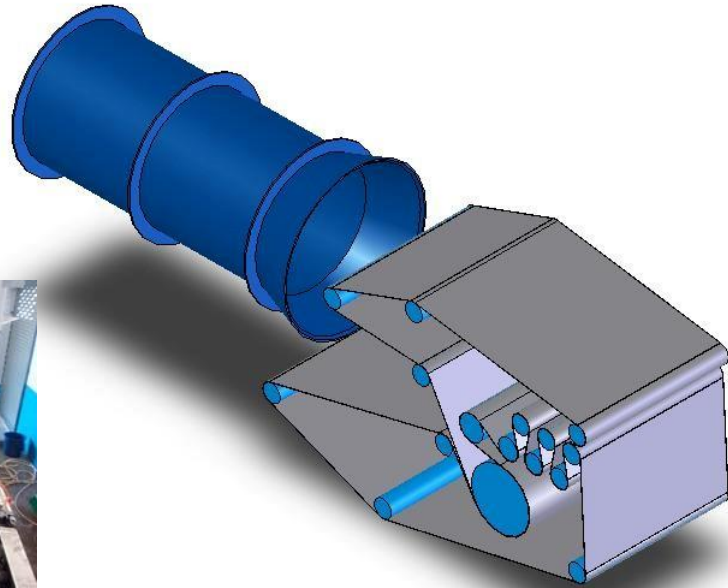
Green Water Treat Co., Ltd.

143 Charoen Rat Soi 7, BangKhlo, BangKholaem, Bangkok 10120

Tel : 02-689-7758 Fax : 02-692-2229 Email : greenwatertreat@gmail.com

Mobile : 084-674-5659 : 085-915-4569 www.greenwatertreat.com

KPS-RDT Model



Designed

*Rotary Drum Screen thickener **KPS-RDT** The unit increased sludge intense input by solid to be conveyed by screw blade and discharge come out at the front of drum screen the liquid flow through the screen it called filtrate . The drum screen is driven by a variable speed drive to control rotation speed and capacity. The rotary drum screen thickener is assembled on stainless steel (304) frame , and polyester material for screen element.*

Features

- 1. More filtering area can be reserved more sludge capacity .*
- 2. Compensate the great structural of sludge thickener tank , saving cost and space for construction*
- 3. Suitable for attenuate sludge not more than 1.0% SS .*
- 4. Available extra filtering area 3.8 ,5.0,6.35 m²*



Green Water Treat Co., Ltd.

143 Charoen Rat Soi 7, BangKhlo, BangKholaem, Bangkok 10120

Tel : 02-689-7758 Fax : 02-692-2229 Email : greenwatertreat@gmail.com

Mobile : 084-674-5659 : 085-915-4569 www.greenwatertreat.com

Technical Data

Model	Drum Diameter (mm.)	Filtering Area (m ²)	Capacity		Washing Water (m ³ /hr)	kW	Weight (Ton)	Dimension WxLxH (mm.)
			Hydraulic Loading Rate (HLR : m ³ /hr)	Solid Loading Rate (SLR : kg-DS/hr)				
KPS-RDT 10	900	3.8	12	120	5.5	0.75	0.4	1375x2500x2100
KPS-RDT 20	900	5.0	20	200	7.5	0.75	0.6	1375x3000x2100
KPS-RDT 30	900	6.35	30	300	9.0	1.50	0.8	1375x3700x2100